

**DPSS-532-H GREEN LASERS: 532 nm, 600~1500 mW**



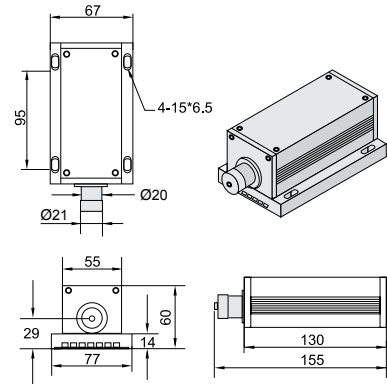
- Upto 1.5 W high power green laser
- Easy use & maintenance free
- Longlife operation
- High efficiency
- High reliability

**SPECIFICATIONS**

Wavelength	532 nm
Spatial Mode	near TEM <sub>00</sub>
Output Power	>600, 700, 800, ..., 1500 mW
Residual IR (946, 1064 & 808 nm)	<0.01%
Operation Mode	CW or Modulation
Modulation	0~30 khz Analog or TTL
Linewidth	<0.1 nm
Polarization	>100:1
Beam Spot Shape	Circular, aspect ratio <1.1 : 1
Pointing Stability	<0.05 mrad
Beam Diameter (1/e <sup>2</sup> )	<3 mm
Beam Divergence	<2 mrad
Beam Height from Base	29 mm
Power Stability	<±5% per 2 hrs
Temperature Stabilizing	TEC
Warm Up Time	<5 minutes
Beam Quality (M <sup>2</sup> )	<2
Optimum Operating Temperature	20~30 °C
Storage Temperature	10~50 °C
Expected Lifetime	10,000 hrs
Laser Head Dimensions	77(W) × 155(L) × 60(H) mm
<b>POWER SUPPLY</b>	
OEM type <b>EO-PS-NI</b>	70(W) × 100(L) × 55(H) mm AC/DC PSU: 85~265 V 50/60 Hz input
Lab type <b>EO-PS-F</b>	238(W) × 146(L) × 94(H) mm 85~265V 50/60 Hz input

**ORDERING INFORMATION**

Catalogue number	Description
DPSS-532-H600	600 mW
DPSS-532-H700	700 mW
DPSS-532-H800	800 mW
DPSS-532-H1000	1000 mW
DPSS-532-H1200	1200 mW
DPSS-532-H1500	1500 mW
EO-PS-NI	OEM Type power supply
EO-PS-F	Lab type power supply



DPSS-532-H

**RELATED PRODUCTS**

Laser Safety Eyewear  
See page 1.16.



**POWER SUPPLIES**

- OEM power supply **EO-PS-NI**
- Lab type power supply **EO-PS-F**

